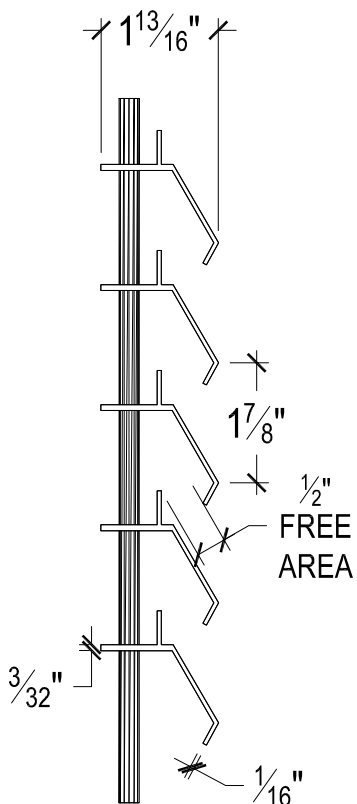
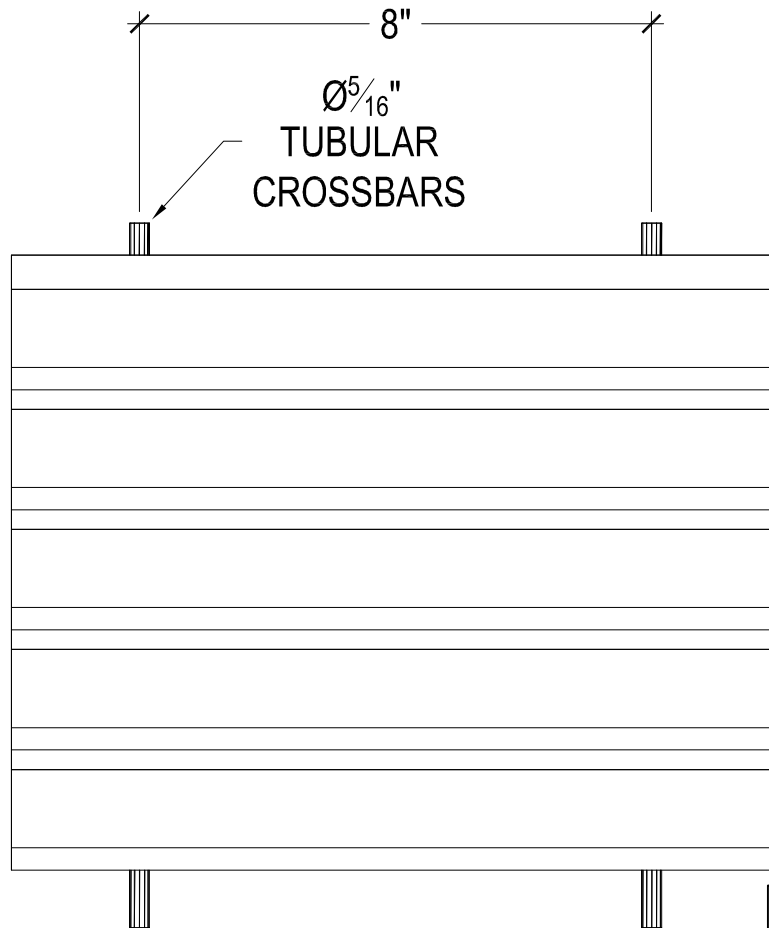
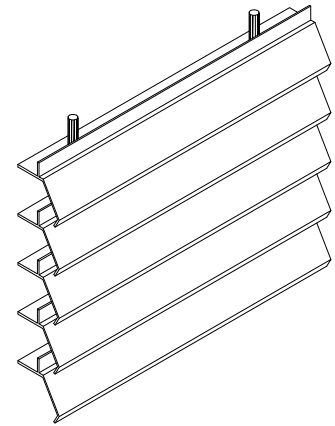
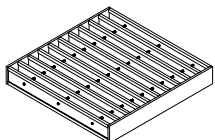


SPECIFY GENUINE **BARNETT BATES** PATTERN: **STL-100**
 800-541-3912 (ALUMINUM)



FREE
 AREA FOR
 STL-100 =
 51.8%



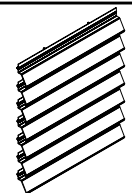
ALL TYPES
 OF GRATING



Barnett Bates Corporation
 500 Mills Road
 Joliet, IL 60433-2795

WWW.BARNETT BATES.COM
 email:sales@barnettbates.com

Toll Free: (800) 541-3912
 Joliet: (815) 726-5223
 Fax: (815) 726-9210



ARCHITECTURAL
 FENCING