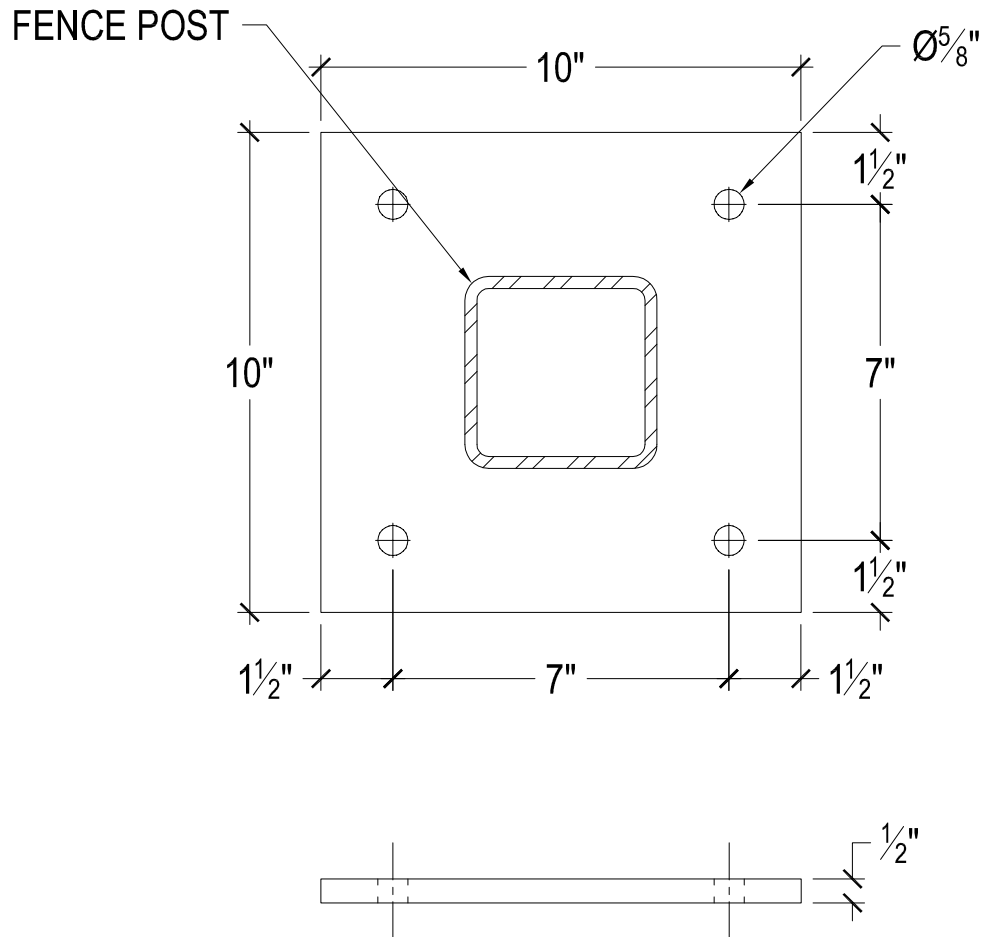
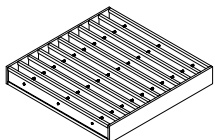


TYPICAL BASE PLATE



ALL DIMENSIONS MAY VARY WITH APPLICATION



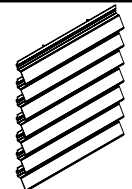
ALL TYPES
OF GRATING

BARNETT BATES

Barnett Bates Corporation
500 Mills Road
Joliet, IL 60433-2795

WWW.BARNETTBATES.COM

Toll Free: (800) 541-3912
Joliet: (815) 726-5223
Fax: (815) 726-9210



ARCHITECTURAL
FENCING