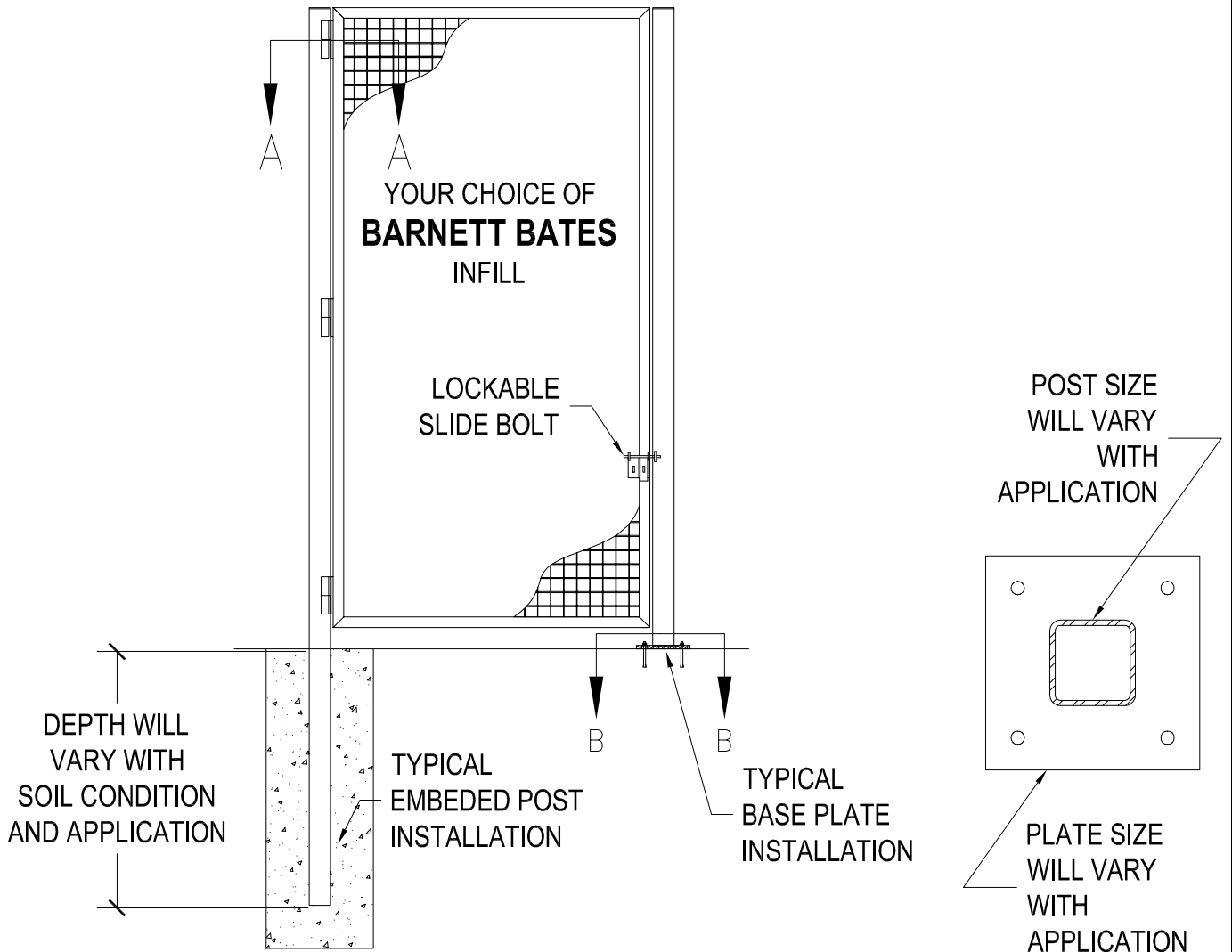
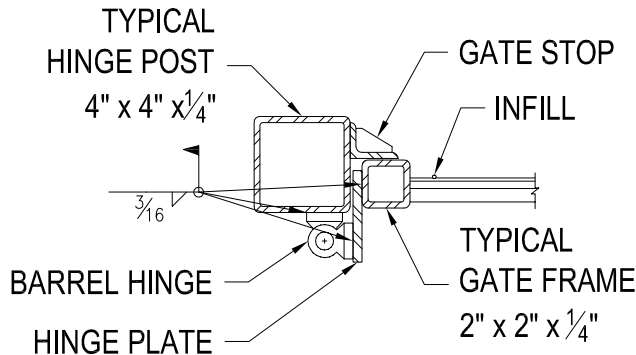


GATE-SINGLE EMBED POST OR BASE PLATE



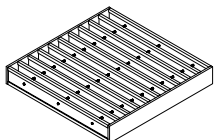
SECTION B-B



SECTION A-A

TYPICAL GATE MOUNTS

- EMBEDDED POSTS
- POST W/BASE PLATE
- HINGE PLATE TO MASONRY
(SEE SINGLE GATE)



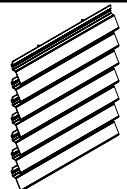
ALL TYPES
OF GRATING

BARNETT BATES

Barnett Bates Corporation
500 Mills Road
Joliet, IL 60433-2795

WWW.BARNETTBATES.COM

Toll Free: (800) 541-3912
Joliet: (815) 726-5223
Fax: (815) 726-9210



ARCHITECTURAL
FENCING