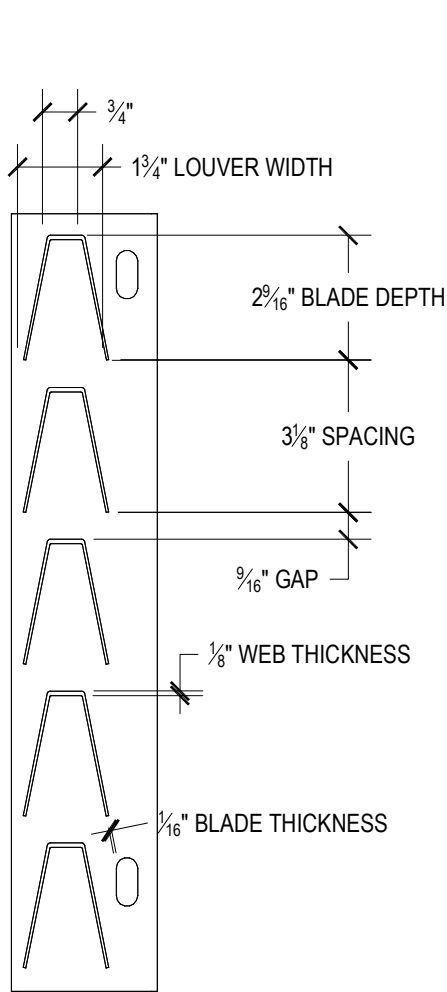


**SPECIFY
GENUINE**

BARNETT BATES

800-541-3912

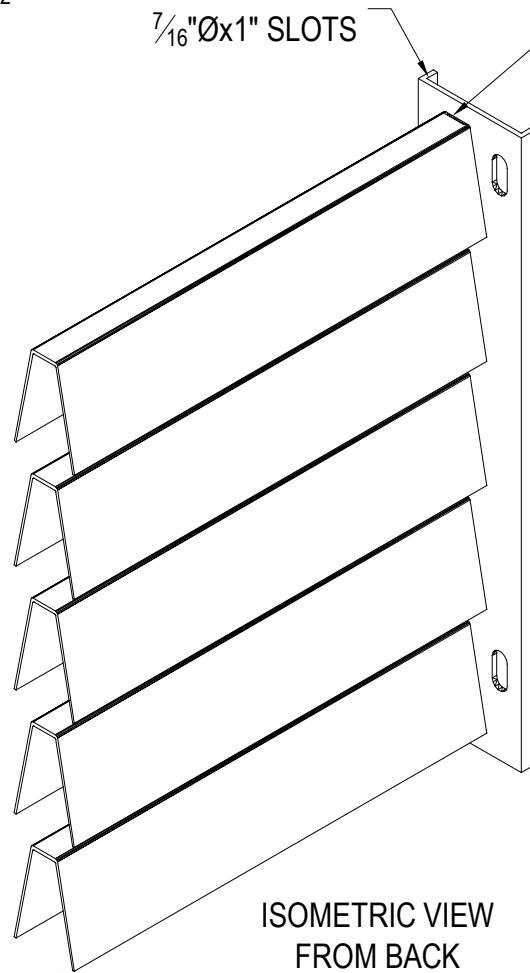
**PATTERN:
VENICE-80
(ALUMINUM)**



SECTION

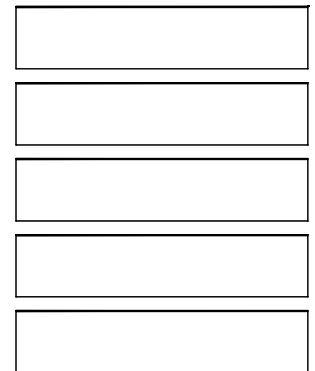
3"x1/2" MOUNTING CHANNEL w/
7/16"Øx1" SLOTS

BOTH ENDS OF EACH
LOUVER EXTEND THRU
CHANNEL & WELDED
ON BACK SIDE.

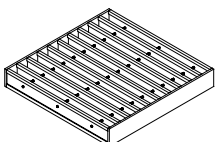


**ISOMETRIC VIEW
FROM BACK**

MOUNTING CHANNEL NOT
SHOWN THIS SIDE
FOR CLARITY



FRONT ELEVATION



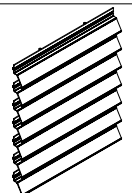
**ALL TYPES
OF GRATING**

BARNETT BATES

Barnett Bates Corporation
500 Mills Road
Joliet, IL 60433-2795

WWW.BARNETT BATES.COM
email:sales@barnettbates.com

Toll Free: (800) 541-3912
Joliet: (815) 726-5223
Fax: (815) 726-9210



**ARCHITECTURAL
FENCING**